

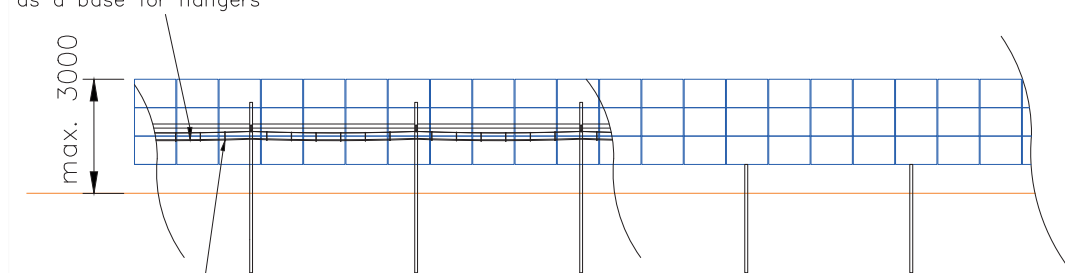
Notes

- 1. All details are indicative only.
- 2. Dimensions are in metres unless stated otherwise.

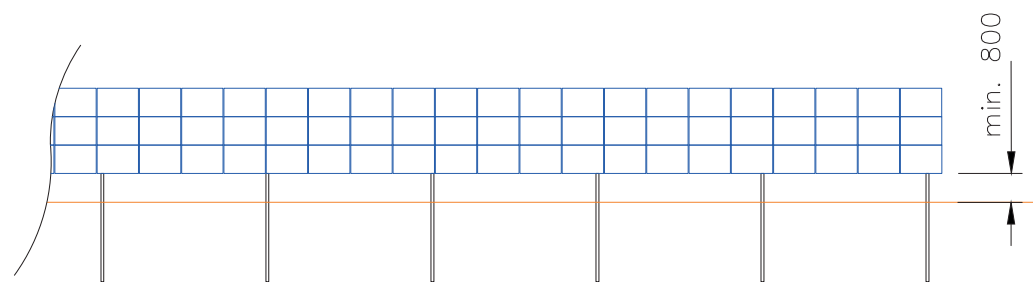
Table back view – cable suspension system

Table front view – 3 modules in portrait
scale 1:200

Wire connecting table pylons
as a base for hangers



Metal hook attached
to the table pylon



P01	04/01/2024	JE	LM	TS	DB
-----	------------	----	----	----	----

Rev	Date	By	Chkd	Appd	Authd

Client

RWE

Project Name
Byers Gill Solar

Drawing Title

**ES Figure 2.9
Sheet 1 of 4
Cross-section of a typical fixed
solar panel (normal and ballasted)**

Scale at A3
1:400

Role

Issue

Suitability

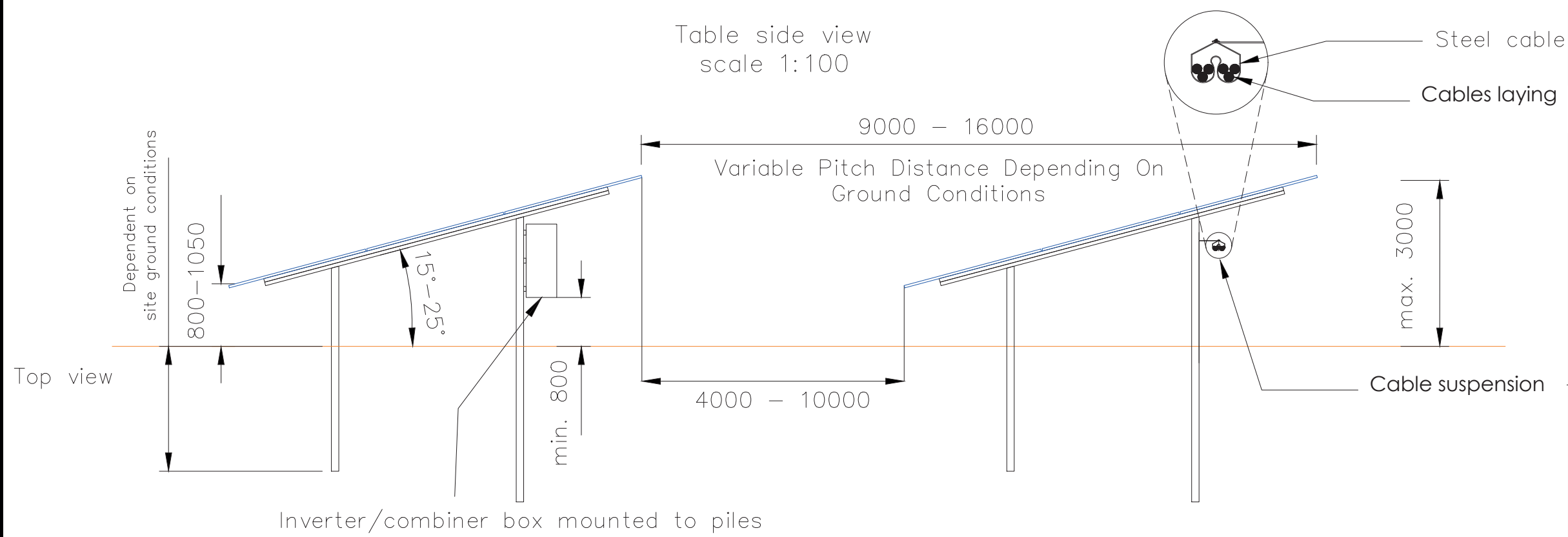
Environmental Statement

Project Number 286386-00	Rev P01
------------------------------------	-------------------

Drawing Number
BGS-ES02-00009

Notes

1. All details are indicative only.
2. Dimensions are in metres unless stated otherwise.



P01	04/01/2024	JE	LM	TS	DB
Rev	Date	By	Chkd	Appd	Authd

Client



Project Name
Byers Gill Solar

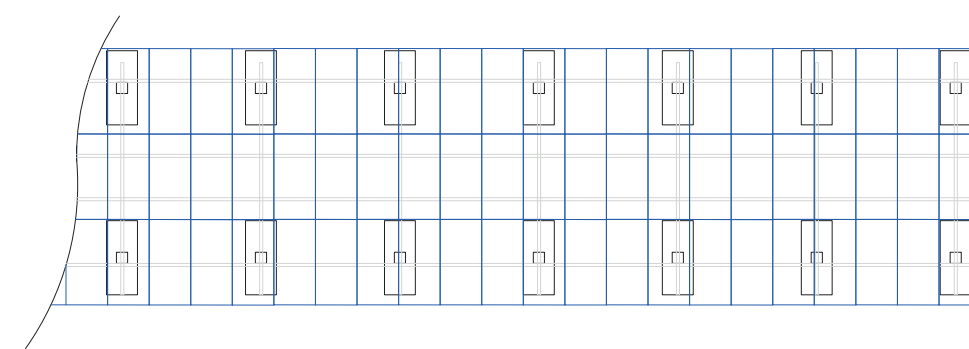
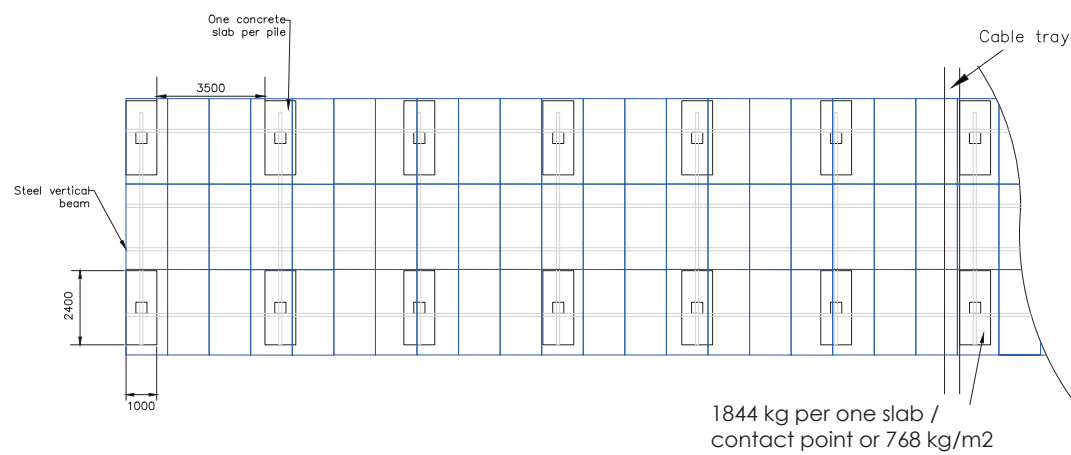
Drawing Title
ES Figure 2.9
Cross-section of a typical fixed solar panel (normal and ballasted)
Sheet 2 of 4

Scale at A3 1:200	
Role	
Issue	
Suitability	
Environmental Statement	
Project Number 286386-00	Rev P01
Drawing Number BGS-ES02-00009	

Notes

1. All details are indicative only.
2. Dimensions are in metres unless stated otherwise.

Birdseye view – 3 modules in portrait
scale 1:200 @A1



P01	04/01/2024	JE	LM	TS	DB
Rev	Date	By	Chkd	Appd	Authd

Client



Project Name
Byers Gill Solar

Drawing Title

**ES Figure 2.9
Cross-section of a typical fixed
solar panel (normal and ballasted)
Sheet 3 of 4**

Scale at A3
1:400

Role

Issue

Suitability

Environmental Statement

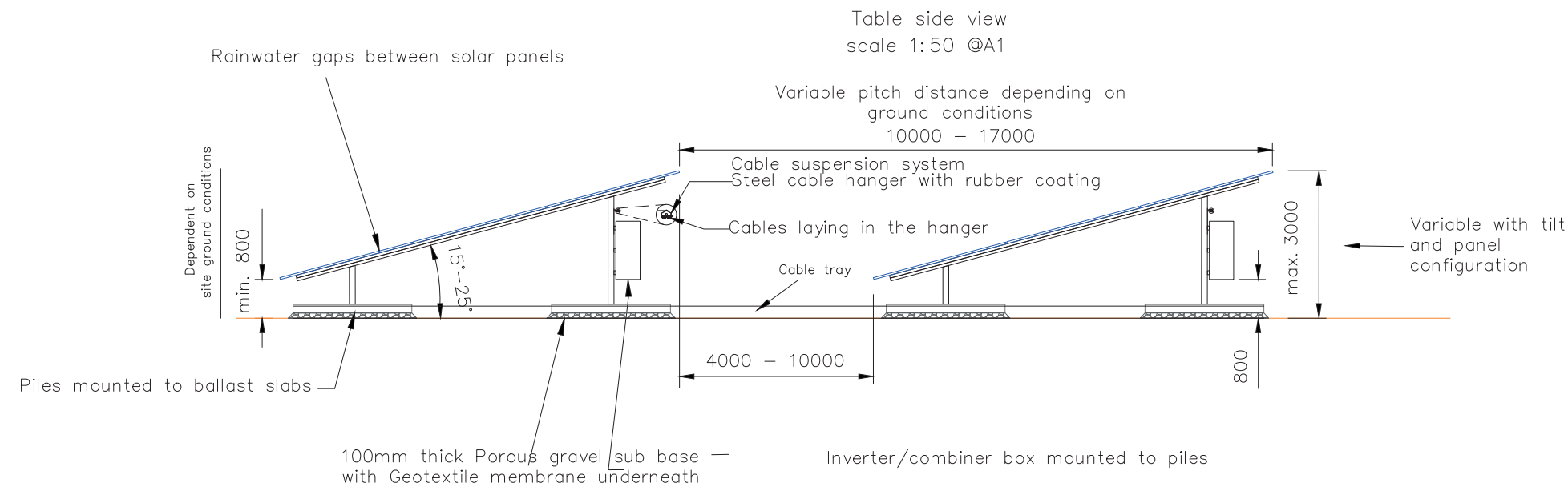
Project Number 286386-00	Rev P01
------------------------------------	-------------------

Drawing Number
BGS-ES02-00009



Notes

1. All details are indicative only.
2. Dimensions are in metres unless stated otherwise.



Ground cross-section side view (not to scale)

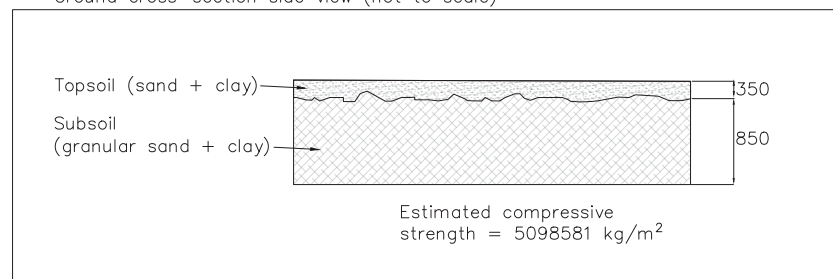


Table 1: Constituents of a contact point

Item name	Weight [kg]
15 PV Panels	420
PV frame for 15 panels	45
Solar inverter for 15 Panels	90
Shingle layer	379
Concrete slab	1000
TOTAL weight	1844



P01	04/01/2024	JE	LM	TS	DB
-----	------------	----	----	----	----

Rev	Date	By	Chkd	Appd	Authd
-----	------	----	------	------	-------

Client



Project Name
Byers Gill Solar

Drawing Title

ES Figure 2.9
Cross-section of a typical fixed solar panel (normal and ballasted)
Sheet 4 of 4

Scale at A3
1:100

Role

Issue

Suitability

Environmental Statement

Project Number

286386-00

Rev

P01

Drawing Number

BGS-ES02-00009