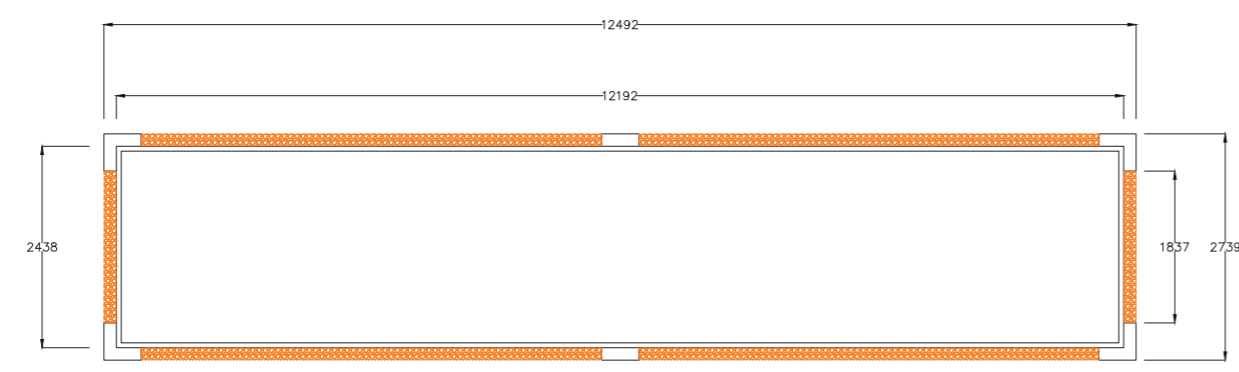


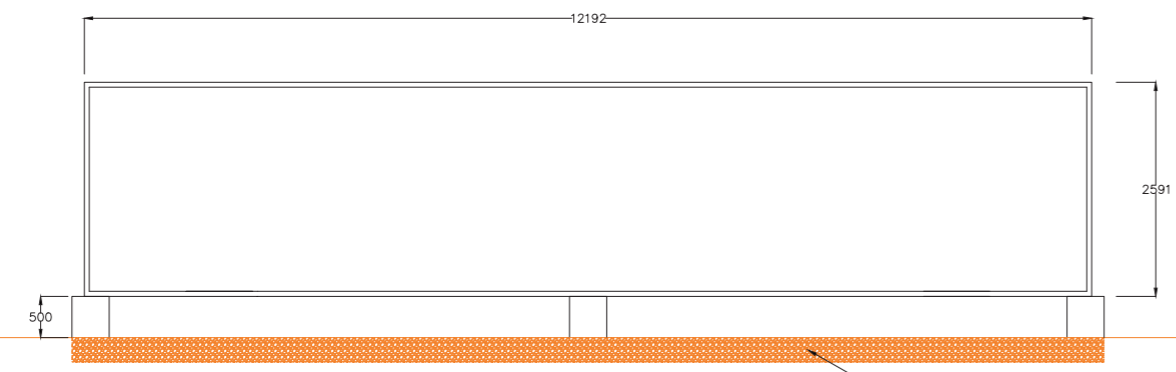
Notes

- 1. All details are indicative only.
- 2. Dimensions are in metres unless stated otherwise.

Spares container  
Top view

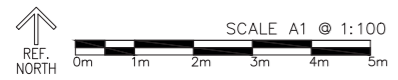
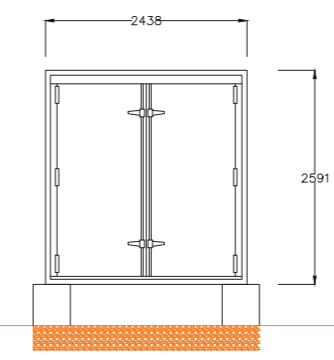


Spares container  
Front view



300mm  
gravel base

Spares container  
Side view



P01	04/01/2024	JE	LM	TS	DB
Rev	Date	By	Chkd	Appd	Authd

Client



Project Name  
Byers Gill Solar

Drawing Title

ES Figure 2.18  
Typical storage container

Scale at A3  
1:200

Role

Issue

Suitability

Environmental Statement

Project Number  
286386-00

Rev  
P01

Drawing Number  
BGS-ES02-00018